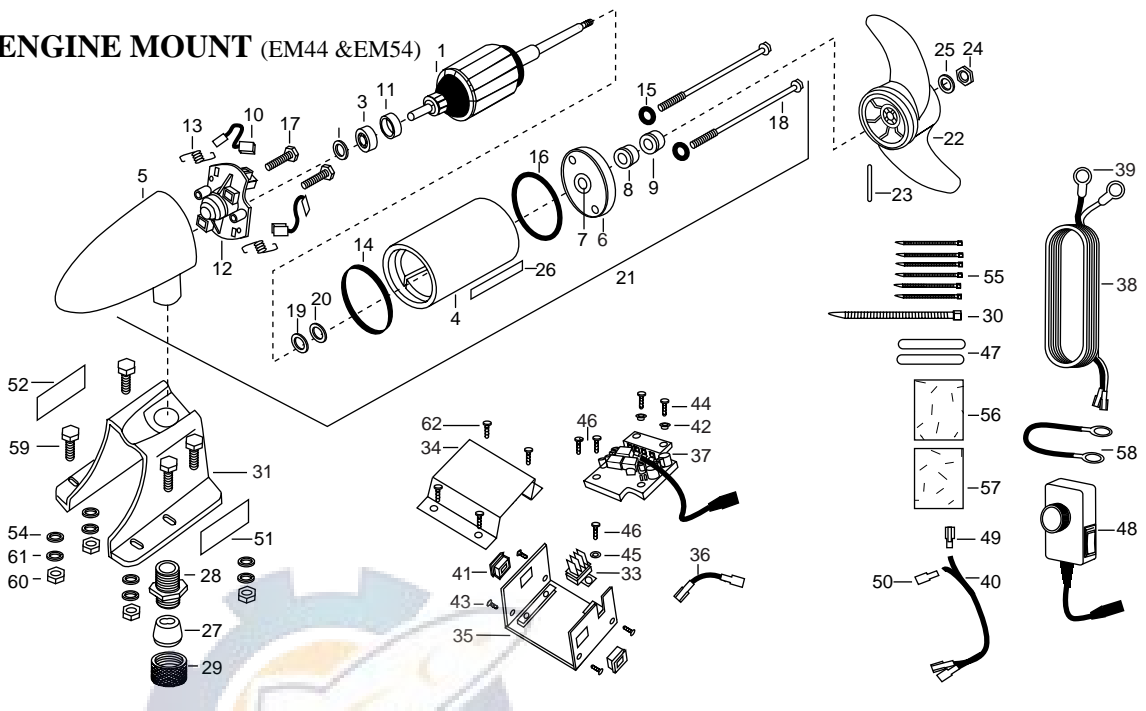
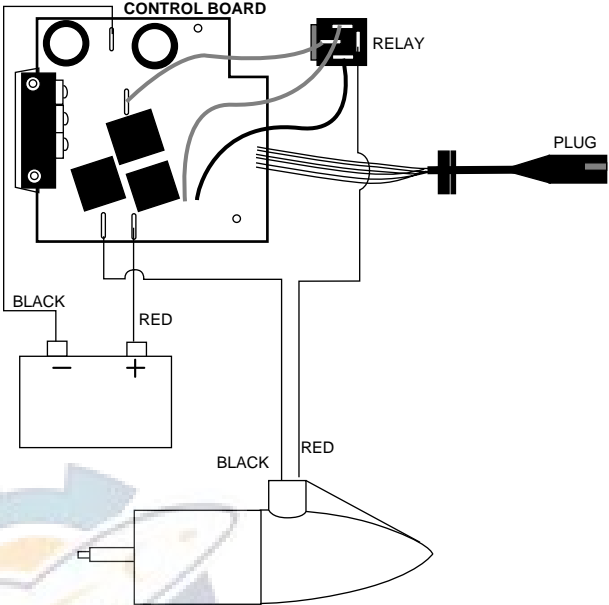


ENGINE MOUNT (EM44 &EM54)



1	92-100-105	ARMATURE ASSEMBLY EM44	33	238-4007	RELAY- MOTOR DISCONNECT
	92-100-106	ARMATURE ASSEMBLY EM54	34	238-6590	HOUSING- COVER CONTROL MODULE
3	140-010	BEARING- BALL	35	238-6592	HOUSING- BASE CONTROL MODULE
4	431-101	CENTER HOUSING ASSEMBLY 3.62	36	202-0310	CONNECTING WIRE 4-1/2"
5	421-001	BRUSH END HOUSING 3.62 FW	37	238-4015	CONTROL BOARD 12V
6	2-400-101	PLAIN END HOUSING ASSEMBLY		238-4026	CONTROL BOARD 24V
7	144-049	BEARING- FLANGE	38	209-0600	LEADWIRE ASSEMBLY- 10 GA RINGS
8	880-003	SEAL	39	202-0700	RING TERMINALS [2.EA]
9	880-006	SEAL-W/SHIELD	40	299-0603	LEADWIRE/DISCONNECT ASSEMBLY
10	188-036	BRUSH ASSEMBLY [2.EA]	41	230-2921	GROMMET- LEADWIRE/SPD CNTRL [2.EA]
11	725-050	PAPER TUBE- BRUSH RETENTION	42	230-1710	WASHER-INSULATED TRANSF BAR [2.EA]
12	738-036	BRUSH PLATE W/HOLDER	43	237-3426	SCREW- 4- 40 X 1/4 PPH TCS [4.EA]
13	975-040	SPRING- TORSION [2.EA]	44	233-2101	SCREW- 8- 32 X 1/2 SS [2.EA]
14	337-036	GASKET	45	238-1715	LOCKWASHER- STAR #8 ZINC [4.EA]
15	701-008	O-RING- THRU BOLT [2.EA]	46	237-3425	SCREW- 8-32 X 5/16 PPHMS [3.EA]
16	701-081	O-RING	47	230-5400	SHRINK TUBE 3/8 OD X 1/[2.EA]
17	830-007	SCREW- #8-32 [2.EA]	48	299-0210	HAND CONTROLLER- MK
18	830-042	THRU BOLT 10-32 X 8.83 [2.EA]	49	238-0300	CONNECTOR- MALE .250
19	990-067	THRUST WASHER- STEEL	50	238-0301	CONNECTOR- FEMALE .250
20	990-070	THRUST WASHER- NYLATRON [2.EA]	51	238-5621	DECAL- EM44 SIDE BRKT RIGHT
21	238-7003	MOTOR ASSEMBLY EM44 12V VARS		238-5623	DECAL- EM54 SIDE BRKT RIGHT
	238-7004	MOTOR ASSEMBLY EM54 24V VARS		238-5622	DECAL- EM44 SIDE BRKT LEFT
22	209-1130	PROPELLER- P WEDGE		238-5624	DECAL- EM54 SIDE BRKT LEFT
23	209-2600	PIN- DRIVE	■	299-4823	BAG ASSEMBLY 54EM
24	205-3101	NUT- PROP NYLOCK 5/16 SS		299-4822	BAG ASSEMBLY 44EM
25	215-1726	WASHER 5/16 STD SS	54	215 1726	WASHER 5/16 STD SS [4.EA]
26	238-5608	DECAL- MK MAX QKREL EM44/54 [2.EA]	55	225-6300	TIE WRAP 5.5" [6.EA]
27	238-2900	GROMMET- SPLIT	56	995-0950	VELCRO® 2 X 2.9 HOOK
28	238-2500	BOLT- MOTOR FITTING	57	995-0953	VELCRO® 2 X 2.9 LOOP
29	995-0339	CAP- MOTOR FITTING FIN	58	209-0620	CONNECTOR CABLE 24V EM54 ONLY
30	995-3310	TIE WRAP 8.5"	59	238-3501	BOLT- 5/16-18 X 1-1/2 SS [4.EA]
31	238-1905	BRACKET/CUP ASSEMBLY	60	238-3106	NUT- 5/16-18 SS [4.EA]
■	299-0200	CONTROL MODULE. ASSEMBLY- 12V	61	237-1714	LOCKWASHER- SPLIT [4.EA]
	299-0201	CNTRL MODULE ASSEMBLY- 24V	62	237-3427	SCREW- BOAT #12 X 5/8 [4.EA]

EM44



EM54

